

# Bilco Stair Stringer Installation Instructions

Note: See reverse side for stairwell dimensions and Bilco Door and Stair Stringer sizes for various grade conditions.

## To Install:

Measure up from the finished basement floor line and draw a level line on the wall as shown in **Figure 1**. Place one stringer up against the wall and line up the lower anchor holes on the stringer to the level line on the wall. Make sure that the top of the stringer is up tight against the outer wall. The stringer is now in position to be anchored. Anchor stringer to wall through the anchor holes in the stringer using the 1-1/4" long masonry nails supplied. Use (6) masonry nails for each stringer.

When installing the stringer against a masonry block wall, it is necessary to anchor into the solid part of the blocks or into the joints between the block. The masonry nails will not hold if driven into the hollow part of the block. If some anchor holes do not line up with a joint or solid portion of block, you can make your own holes by driving the masonry nails through the steel stringer. Use (6) masonry nails for each stringer.

Using standard 2 x 10 lumber (actually measures 1-5/8" x 9-1/2") cut off the required number of pieces to be used for treads to a length of 2" less than the width of the masonry opening. On one piece only (to be used for the top tread) the two rear corners must be notched out as shown in **Figure 2** to allow the tread to fit snugly against the outer wall.

It is generally easier to install the second stringer by leveling from the first installed stringer. Place the second stringer against the opposite wall and insert the top and bottom treads by sliding them into the slots provided in the stringers. With the treads level, and the stringer tight against the outer wall, the second stringer is in position to be anchored to the wall following the same procedure used to anchor the first stringer. Insert all of the treads into the slots in the stringer and secure all treads with the 8-penny nails provided. Use one nail in each end of each tread utilizing the holes supplied in the stringer, see **Figure 3**.

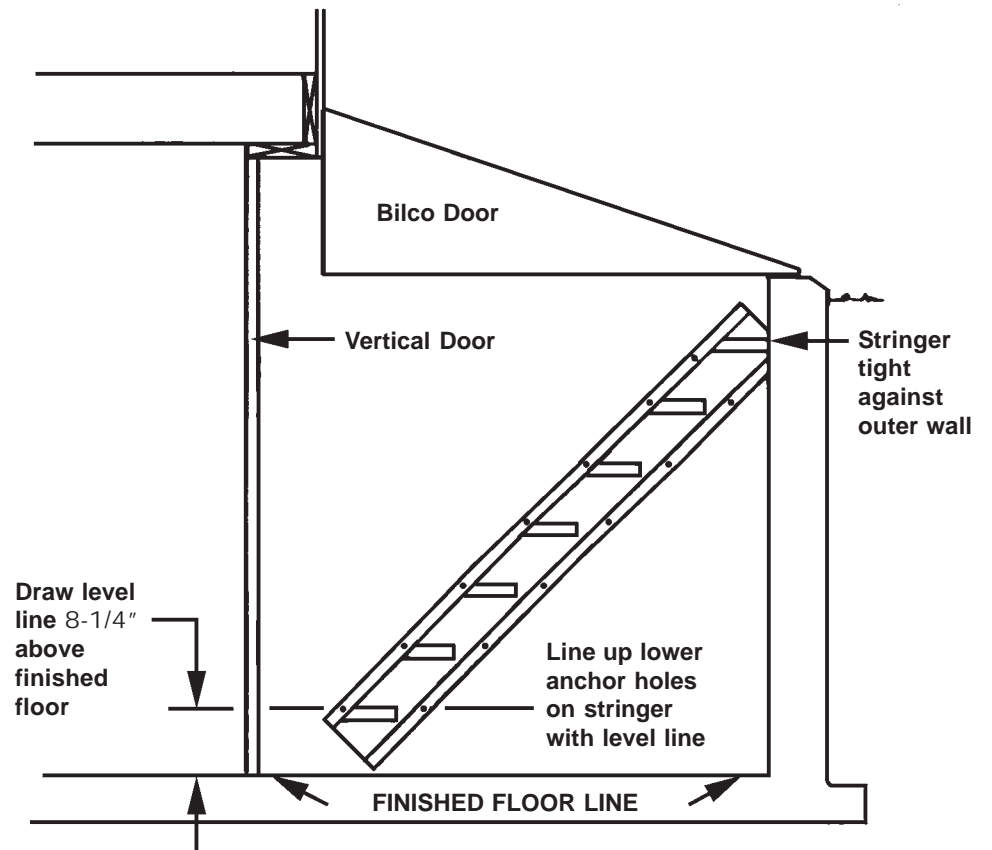


Figure 1

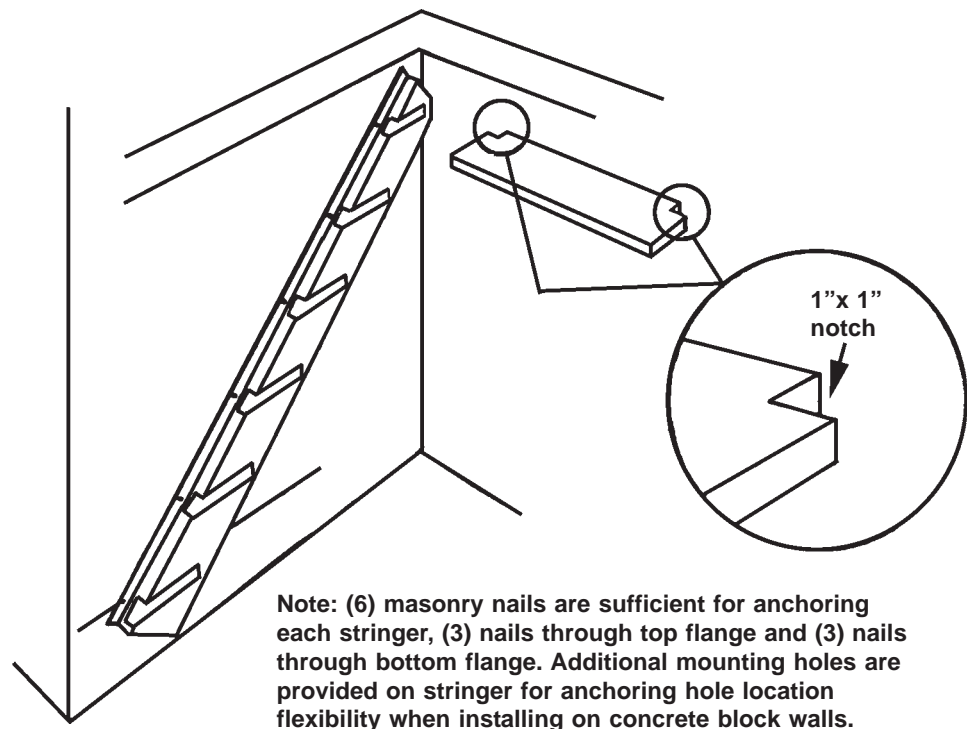


Figure 2

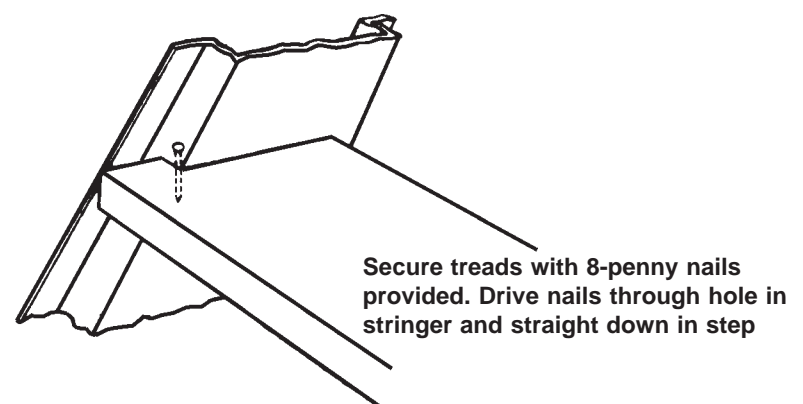
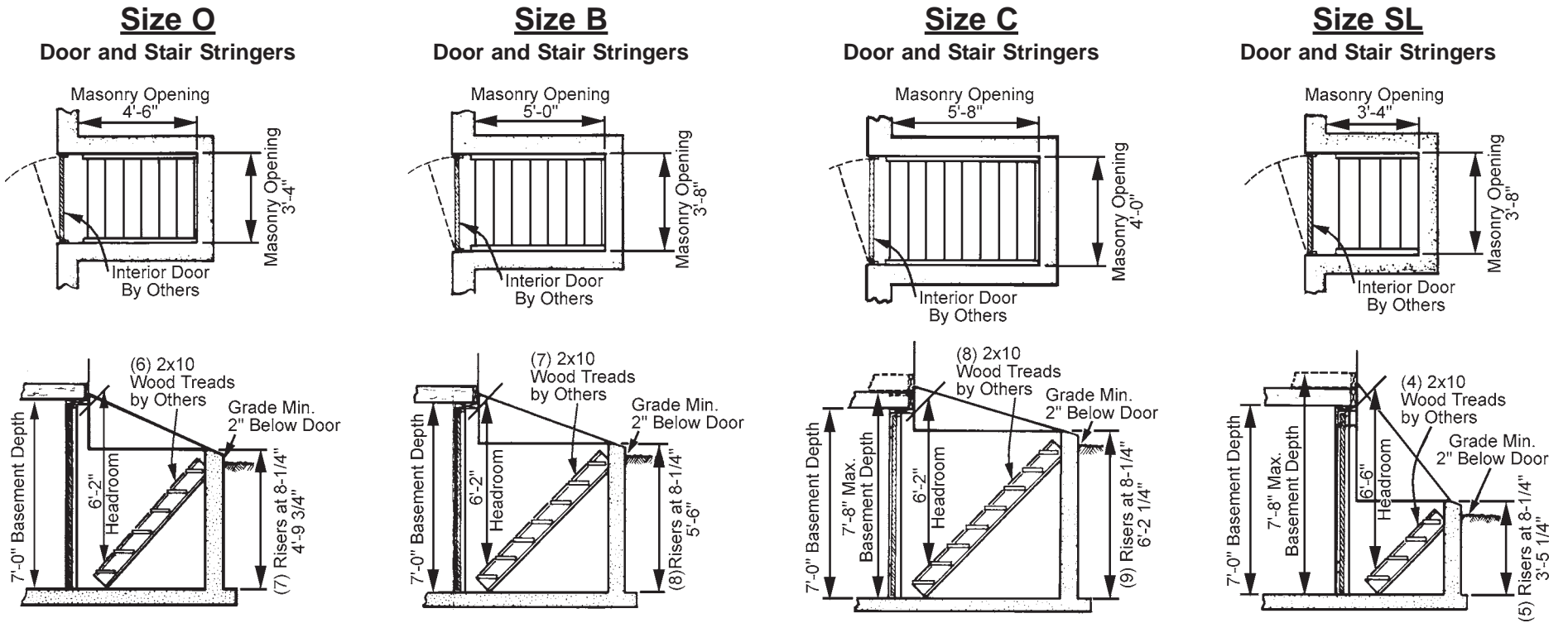


Figure 3



# Stairway Details

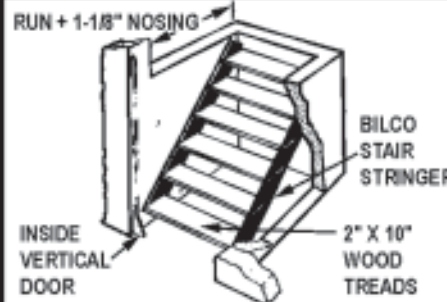
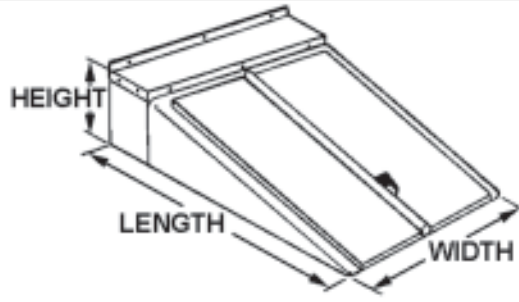
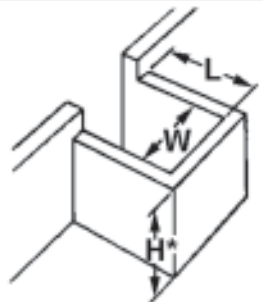
Showing areaway dimensions for four Bilco Door sizes and sectional views of Stair Stringer installations for normal grade conditions.



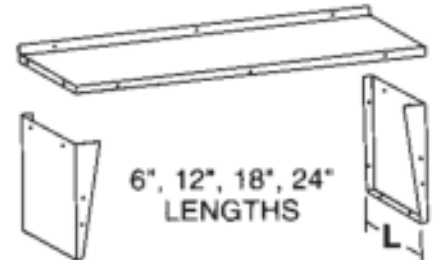
## Construction Guide

for building areaway to suit various grade conditions

This chart was developed to aid builders in the construction of the masonry stairwell to the proper inside length, width and height for various grade conditions. First, determine the approximate height that the grade will be above the finished basement floor. With this dimension, refer to the first column of the chart below and find the range in which this grade height falls. Read across the chart to determine the dimensions of the areaway and the size and dimensions of the Bilco Door and Stair Stringers required.



**BILCO DOOR EXTENSIONS:** Available for Size C Door (only), these extensions increase the length to fit longer areaways. Horizontal top and two sidepieces are easily assembled and installed. Furnished in four sizes: 6", 12", 18" and 24". Complete with instructions and required hardware.

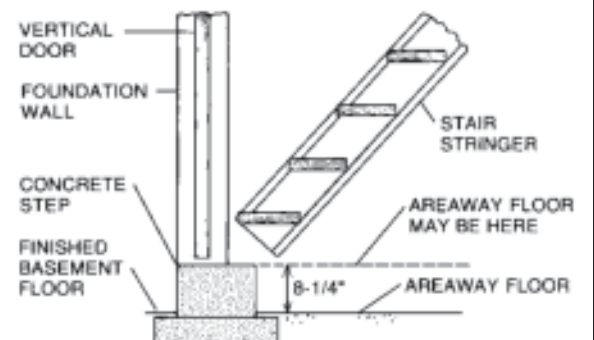


**STAIR STRINGER EXTENSION -- SIZE E:** Three-tread extension butts to bottom of standard stringer unit. Used with any size (O, B or C) Stair Stringer. Complete with hardware.

HEIGHT OF GRADE ABOVE FINISHED BASEMENT FLOOR WILL BE:	AREAWAY DIMENSIONS			STAIR STRINGER SPECIFICATIONS				
	BUILD AREAWAY TO THESE INSIDE DIMENSIONS (See Drawing Above)			USE THIS BILCO DOOR AND EXTENSION		STRINGER UNIT HAS 8-1/4" RISE, 8-3/8" RUN AND 1-1/8" NOSING		USE THESE BILCO STAIR STRINGERS AND EXTENSIONS (Size E Extension has 3-Tread Run)
	H*	L	W	Door Size	Extension Size	Run+ in Areaway	Treads in Areaway	
24" to 31"±	33"	40"	44"	SL	None	26-1/4"	3	(Not Available)
32" to 39"	41-1/4"	40"	44"	SL	None	34-5/8"	4	SL
➔ 40" to 47" (See Note)	49-1/2"	40"	44"	SL	None	34-5/8"	4	SL
48" to 55"±±	57-3/4"	54"	40"	O	None	51-3/8"	6	O
56" to 64"±±	66"	60"	44"	B	None	59-3/4"	7	B
65" to 72"	74-1/4"	68"	48"	C	None	68-1/8"	8	C
➔ 73" to 80" (See Note)	82-1/2"	68"	48"	C	None	68-1/8"	8	C
73" to 80"	82-1/2"	80"	48"	C	12"	76-1/2"	9	O + E
➔ 81" to 88" (See Note)	90-3/4"	80"	48"	C	12"	76-1/2"	9	O + E
81" to 88"	90-3/4"	86"	48"	C	18"	84-7/8"	10	B + E
➔ 89" to 97" (See Note)	99"	86"	48"	C	18"	84-7/8"	10	B + E
89" to 97"	99"	93"	48"	C	24"	93-1/4"	11	C + E
98" to 106"	107-1/4"	104"	48"	C	24" + 12"	101-5/8"	12	C + SL
107" to 115"	115-1/2"	110"	48"	C	24" + 18"	110"	13	O+B
116" to 123"	123-3/4"	116"	48"	C	(2)24"	118-3/8"	14	B+B
124" to 131"	132"	134"	48"	C	(2)24"+18"	126-3/4"	15	C+B
132" to 139"	140-1/4"	140"	48"	C	(3)24"	135-1/8"	16	C+C
140" to 148"	148-1/2"	146"	48"	C	(3)24"+6"	143-1/2"	17	B+B+E
149" to 156"	156-3/4"	158"	48"	C	(3)24"+18"	151-7/8"	18	C+B+E
157" to 164"	165"	164"	48"	C	(4)24"	160-1/4"	19	C+C+E
165" to 172"	173-1/4"	176"	48"	C	(4)24"+12"	168-5/8"	20	C+C+SL

➔ **NOTE:** For basements more than 91" deep (finished floor to top of foundation wall) building a bottom step within the foundation wall opening (see drawing below) is recommended. The concrete step should extend 6" into stairwell.

**CAUTION:** Suggested construction allows minimum of 74" headroom. This is the recommended minimum.



\* Above Finished Basement Floor ± Maximum House Wall 85" ±± Maximum House Wall 88" + Run plus 1-1/8" Nosing on Bottom Tread